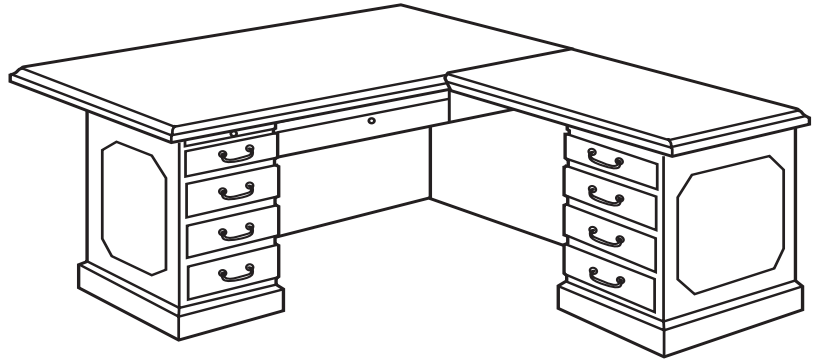


# Arlington

## Typical 29-1



### HPL Top:

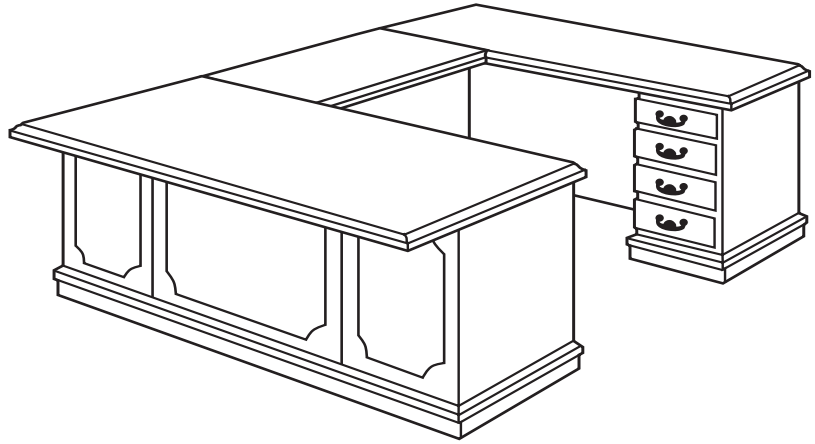
| Model #               | Qty | Description  | Base List Price | List Price as Shown | Total as Shown |
|-----------------------|-----|--|-----------------|---------------------|----------------|
| 29-3672LP             | 1   | 36x72 Single Ped Desk<br><i>Shown with Wilmington Decorative &amp; Base Molding</i>          | \$2,853         | \$2,953             | \$2,953        |
| 29-2448RF             | 1   | 24x48 Return with Box/Box/File<br><i>Shown with Wilmington Decorative &amp; Base Molding</i> | \$2,066         | \$2,166             | \$2,166        |
| <b>TOTAL HPL LIST</b> |     |  | <b>\$4,919</b>  |                     | <b>\$5,119</b> |

### Veneer Top:

| Model #                  | Qty | Description  | Base List Price | List Price as Shown | Total as Shown |
|--------------------------|-----|--|-----------------|---------------------|----------------|
| 29-3672LP                | 1   | 36x72 Single Ped Desk<br><i>Shown with Wilmington Decorative &amp; Base Molding</i>          | \$3,144         | \$3,244             | \$3,244        |
| 29-2448RF                | 1   | 24x48 Return with Box/Box/File<br><i>Shown with Wilmington Decorative &amp; Base Molding</i> | \$2,259         | \$2,359             | \$2,359        |
| <b>TOTAL VENEER LIST</b> |     |  | <b>\$5,403</b>  |                     | <b>\$5,603</b> |

# Arlington

## Typical 29-3



### HPL Top:

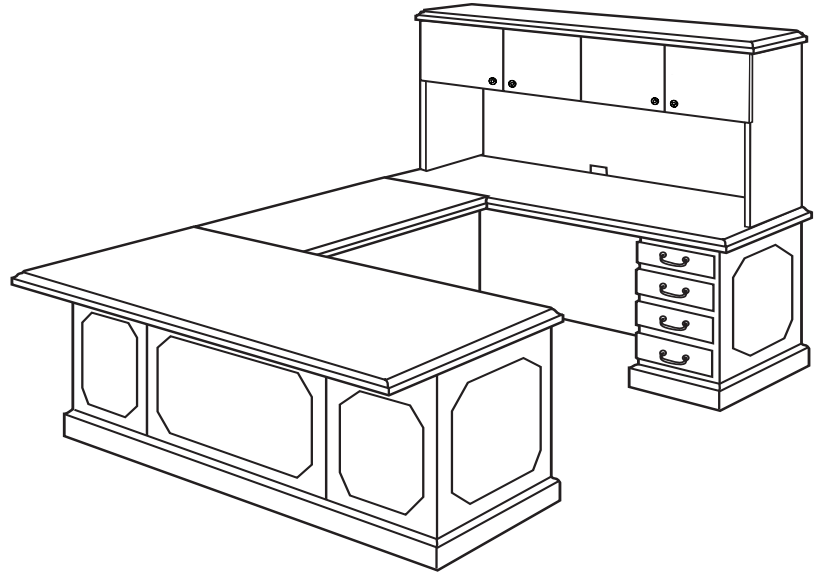
| Model #               | Qty | Description  | Base List Price | List Price as Shown | Total as Shown |
|-----------------------|-----|--|-----------------|---------------------|----------------|
| 29-3672LP             | 1   | 36x72 Single Ped Desk<br><i>Shown with Arlington Decorative &amp; Base Molding</i> | \$2,853         | \$2,913             | \$2,913        |
| 29-2448UF             | 1   | 24x48 Bridge with Full Modesty<br><i>Shown with Arlington Base Molding</i>         | \$1,106         | \$1,106             | \$1,106        |
| 29-2072RC             | 1   | 20x72 Credenza with Box/Box/File<br><i>Shown with Arlington Base Molding</i>       | \$2,467         | \$2,467             | \$2,467        |
| <b>TOTAL HPL LIST</b> |     |  | <b>\$6,426</b>  |                     | <b>\$6,486</b> |

### Veneer Top:

| Model #                  | Qty | Description  | Base List Price | List Price as Shown | Total as Shown |
|--------------------------|-----|--|-----------------|---------------------|----------------|
| 29-3672LP                | 1   | 36x72 Single Ped Desk<br><i>Shown with Arlington Decorative &amp; Base Molding</i> | \$3,144         | \$3,204             | \$3,204        |
| 29-2448UF                | 1   | 24x48 Bridge with Full Modesty<br><i>Shown with Arlington Base Molding</i>         | \$1,299         | \$1,299             | \$1,299        |
| 29-2072RC                | 1   | 20x72 Credenza with Box/Box/File<br><i>Shown with Arlington Base Molding</i>       | \$2,728         | \$2,728             | \$2,728        |
| <b>TOTAL VENEER LIST</b> |     |  | <b>\$7,171</b>  |                     | <b>\$7,231</b> |

# Arlington

## Typical 29-4



### HPL Top:

| Model #               | Qty | Description   | Base List Price | List Price as Shown | Total as Shown |
|-----------------------|-----|---|-----------------|---------------------|----------------|
| 29-3066LP             | 1   | 30x66 Single Ped Desk<br><i>Shown with Wilmington Decorative &amp; Base Molding</i> | \$2,491         | \$2,591             | \$2,591        |
| 29-2442UF             | 1   | 24x42 Bridge with Full Modesty<br><i>Shown with Wilmington Base Molding</i>         | \$1,055         | \$1,155             | \$1,155        |
| 29-2066RC             | 1   | 20x66 Credenza with Box/Box/File<br><i>Shown with Wilmington Base Molding</i>       | \$2,184         | \$2,284             | \$2,284        |
| 29-1566HU             | 1   | 15x66 Surface Mount Hutch   | \$2,883         | \$2,883             | \$2,883        |
| <b>TOTAL HPL LIST</b> |     |   | <b>\$8,613</b>  |                     | <b>\$8,913</b> |

### Veneer Top:

| Model #                  | Qty | Description   | Base List Price | List Price as Shown | Total as Shown |
|--------------------------|-----|---|-----------------|---------------------|----------------|
| 29-3066LP                | 1   | 30x66 Single Ped Desk<br><i>Shown with Wilmington Decorative &amp; Base Molding</i> | \$2,731         | \$2,831             | \$2,831        |
| 29-2442UF                | 1   | 24x42 Bridge with Full Modesty<br><i>Shown with Wilmington Base Molding</i>         | \$1,245         | \$1,345             | \$1,345        |
| 29-2066RC                | 1   | 20x66 Credenza with Box/Box/File<br><i>Shown with Wilmington Base Molding</i>       | \$2,435         | \$2,535             | \$2,535        |
| 29-1566HU                | 1   | 15x66 Surface Mount Hutch   | \$2,883         | \$2,883             | \$2,883        |
| <b>TOTAL VENEER LIST</b> |     |   | <b>\$9,294</b>  |                     | <b>\$9,594</b> |

# Arlington

## Typical 29-5



### HPL Top:

| Model #               | Qty | Description  | Base List Price | List Price as Shown | Total as Shown  |
|-----------------------|-----|--|-----------------|---------------------|-----------------|
| 29-3672DP             | 1   | 36x72 Double Ped Desk<br><i>Shown with Arlington Decorative &amp; Base Molding</i> | \$2,900         | \$2,960             | \$2,960         |
| 29-2072KC             | 1   | 20x72 Kneespace Credenza<br><i>Shown with Arlington Base Molding</i>               | \$2,741         | \$2,741             | \$2,741         |
| 29-1572HU             | 1   | 15x72 Surface Mount Hutch  | \$3,224         | \$3,224             | \$3,224         |
| TB-2172H              | 1   | 72" Tackboard, Gr 1  | \$390           | \$390               | \$390           |
| 29-3470BC             | 1   | 34x15x70 Bookcase  | \$1,874         | \$1,874             | \$1,874         |
| 29-2072SC             | 1   | 20x72 Storage Credenza<br><i>Shown with Arlington Base Molding</i>                 | \$3,069         | \$3,069             | \$3,069         |
| <b>TOTAL HPL LIST</b> |     |  | <b>\$14,198</b> |                     | <b>\$14,258</b> |

### Veneer Top:

| Model #                  | Qty | Description   | Base List Price | List Price as Shown | Total as Shown  |
|--------------------------|-----|---|-----------------|---------------------|-----------------|
| 29-3672DP                | 1   | 36x72 Double Ped Desk<br><i>Shown with Arlington Decorative Molding</i> | \$3,191         | \$3,251             | \$3,251         |
| 29-2072KC                | 1   | 20x72 Kneespace Credenza<br><i>Shown with Arlington Base Molding</i>    | \$3,002         | \$3,002             | \$3,002         |
| 29-1572HU                | 1   | 15x72 Surface Mount Hutch   | \$3,224         | \$3,224             | \$3,224         |
| TB-2172H                 | 1   | 72" Tackboard, Gr 1   | \$390           | \$390               | \$390           |
| 29-3470BC                | 1   | 34x15x70 Bookcase   | \$1,874         | \$1,874             | \$1,874         |
| 29-2072SC                | 1   | 20x72 Storage Credenza<br><i>Shown with Arlington Base Molding</i>      | \$3,330         | \$3,330             | \$3,330         |
| <b>TOTAL VENEER LIST</b> |     |   | <b>\$15,011</b> |                     | <b>\$15,071</b> |

# Arlington

## Typical 29-6



### HPL Top:

| Model #               | Qty | Description   | Base List Price | List Price as Shown | Total as Shown  |
|-----------------------|-----|---|-----------------|---------------------|-----------------|
| 29-3672RP             | 1   | 36x72 Single Ped Desk<br><i>Shown with Wilmington Decorative &amp; Base Molding</i>                   | \$2,853         | \$2,953             | \$2,953         |
| 29-2448LF             | 1   | 24x48 Return with Box/Box/File<br><i>Shown with Wilmington Decorative &amp; Base Molding</i>          | \$2,066         | \$2,166             | \$2,166         |
| 29-2072DL             | 1   | 20x72 Credenza with Double Lateral File<br><i>Shown with Wilmington Decorative &amp; Base Molding</i> | \$3,529         | \$3,629             | \$3,629         |
| 29-1572WD             | 1   | 15x72 Wall Mount Hutch  | \$2,575         | \$2,575             | \$2,575         |
| TB-6572W              | 1   | 72" Tackboard, Gr 1   | \$442           | \$442               | \$442           |
| 29-3670WD             | 1   | 20x36x70 Double/Wardrobe Storage  | \$3,897         | \$3,897             | \$3,897         |
| 29-4242CT             | 1   | 42" Circular Table Top  | \$1,323         | \$1,323             | \$1,323         |
| 01-0606QB             | 1   | Queen Anne Base   | \$968           | \$968               | \$968           |
| <b>TOTAL HPL LIST</b> |     |   | <b>\$17,653</b> |                     | <b>\$17,953</b> |

### Veneer Top:

| Model #                  | Qty | Description   | Base List Price | List Price as Shown | Total as Shown  |
|--------------------------|-----|---|-----------------|---------------------|-----------------|
| 29-3672RP                | 1   | 36x72 Single Ped Desk<br><i>Shown with Wilmington Decorative &amp; Base Molding</i>                   | \$3,144         | \$3,244             | \$3,244         |
| 29-2448LF                | 1   | 24x48 Return with Box/Box/File<br><i>Shown with Wilmington Decorative &amp; Base Molding</i>          | \$2,259         | \$2,359             | \$2,359         |
| 29-2072DL                | 1   | 20x72 Credenza with Double Lateral File<br><i>Shown with Wilmington Decorative &amp; Base Molding</i> | \$3,790         | \$3,890             | \$3,890         |
| 29-1572WD                | 1   | 15x72 Wall Mount Hutch  | \$2,575         | \$2,575             | \$2,575         |
| TB-6572W                 | 1   | 72" Tackboard, Gr 1   | \$442           | \$442               | \$442           |
| 29-3670WD                | 1   | 20x36x70 Double/Wardrobe Storage  | \$3,897         | \$3,897             | \$3,897         |
| 29-4242CT                | 1   | 42" Circular Table Top  | \$1,625         | \$1,625             | \$1,625         |
| 01-0606QB                | 1   | Queen Anne Base   | \$968           | \$968               | \$968           |
| <b>TOTAL VENEER LIST</b> |     |   | <b>\$18,700</b> |                     | <b>\$19,000</b> |

# Arlington

## Typical 29-7



### HPL Top:

| Model #               | Qty | Description  | Base List Price | List Price as Shown | Total as Shown |
|-----------------------|-----|--|-----------------|---------------------|----------------|
| 29-3672WT             | 1   | 36x72 Work Table   | \$1,615         | \$1,615             | \$1,615        |
| 29-2072SC             | 1   | 20x72 Storage Credenza<br><i>Shown with Arlington Base Molding</i> | \$3,069         | \$3,069             | \$3,069        |
| 29-1572WD             | 1   | 15x72 Wall Mount Hutch   | \$2,575         | \$2,575             | \$2,575        |
| TB-6572W              | 1   | 72" Tackboard, <i>Gr 1</i>   | \$442           | \$442               | \$442          |
| 29-2870DB             | 1   | 15x28x70 Door Bookcase   | \$1,873         | \$1,873             | \$1,873        |
| <b>TOTAL HPL LIST</b> |     |  | <b>\$9,574</b>  |                     | <b>\$9,574</b> |

### Veneer Top:

| Model #                  | Qty | Description  | Base List Price | List Price as Shown | Total as Shown  |
|--------------------------|-----|--|-----------------|---------------------|-----------------|
| 29-3672WT                | 1   | 36x72 Work Table   | \$1,906         | \$1,906             | \$1,906         |
| 29-2072SC                | 1   | 20x72 Storage Credenza<br><i>Shown with Arlington Base Molding</i> | \$3,330         | \$3,330             | \$3,330         |
| 29-1572WD                | 1   | 15x72 Wall Mount Hutch   | \$2,575         | \$2,575             | \$2,575         |
| TB-6572W                 | 1   | 72" Tackboard, <i>Gr 1</i>   | \$442           | \$442               | \$442           |
| 29-2870DB                | 1   | 15x28x70 Door Bookcase   | \$1,873         | \$1,873             | \$1,873         |
| <b>TOTAL VENEER LIST</b> |     |  | <b>\$10,126</b> |                     | <b>\$10,126</b> |

# Arlington

## Typical 29-8



### HPL Top:

| Model #               | Qty | Description  | Base List Price | List Price as Shown | Total as Shown  |
|-----------------------|-----|--|-----------------|---------------------|-----------------|
| 29-3672LP             | 1   | 36x72 Single Ped Desk<br><i>Shown with Wilmington Decorative &amp; Base Molding</i>            | \$2,853         | \$2,953             | \$2,953         |
| 29-2448UF             | 1   | 24x48 Bridge with Full Modesty<br><i>Shown with Wilmington Decorative &amp; Base Molding</i>   | \$1,106         | \$1,206             | \$1,206         |
| 29-2072RC             | 1   | 20x72 Credenza with Box/Box/File<br><i>Shown with Wilmington Decorative &amp; Base Molding</i> | \$2,467         | \$2,567             | \$2,567         |
| 29-2066SC             | 1   | 20x66 Storage Credenza<br><i>Shown with Wilmington Decorative &amp; Base Molding</i>           | \$2,665         | \$2,765             | \$2,765         |
| 29-1572HU             | 1   | 15x72x40 Surface Mount Hutch   | \$3,224         | \$3,224             | \$3,224         |
| <b>TOTAL HPL LIST</b> |     |  | <b>\$12,315</b> |                     | <b>\$12,715</b> |

### Veneer Top:

| Model #                  | Qty | Description  | Base List Price | List Price as Shown | Total as Shown  |
|--------------------------|-----|--|-----------------|---------------------|-----------------|
| 29-3672LP                | 1   | 36x72 Single Ped Desk<br><i>Shown with Wilmington Decorative &amp; Base Molding</i>            | \$3,144         | \$3,244             | \$3,244         |
| 29-2448UF                | 1   | 24x48 Bridge with Full Modesty<br><i>Shown with Wilmington Decorative &amp; Base Molding</i>   | \$1,299         | \$1,399             | \$1,399         |
| 29-2072RC                | 1   | 20x72 Credenza with Box/Box/File<br><i>Shown with Wilmington Decorative &amp; Base Molding</i> | \$2,728         | \$2,828             | \$2,828         |
| 29-2066SC                | 1   | 20x66 Storage Credenza<br><i>Shown with Wilmington Decorative &amp; Base Molding</i>           | \$2,916         | \$3,016             | \$3,016         |
| 29-1572HU                | 1   | 15x72x40 Surface Mount Hutch   | \$3,224         | \$3,224             | \$3,224         |
| <b>TOTAL VENEER LIST</b> |     |  | <b>\$13,311</b> |                     | <b>\$13,711</b> |