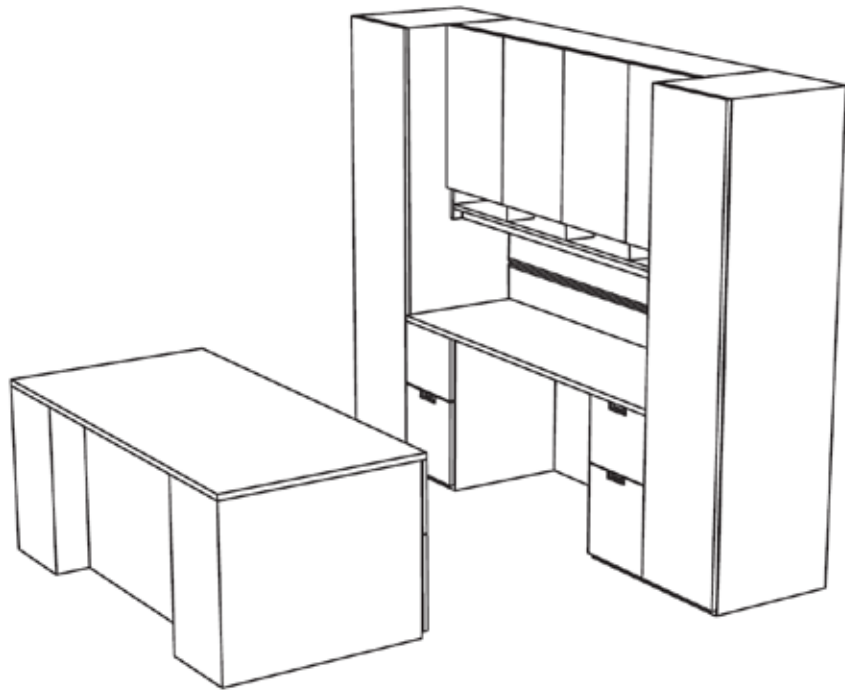


# Gesso

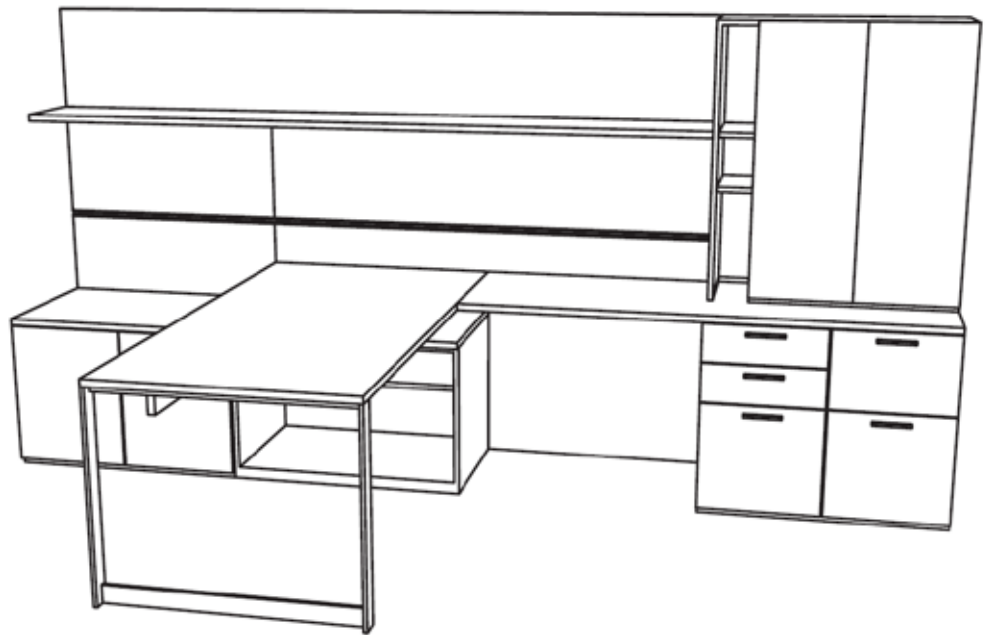
Typical 65-8



Model #	Qty	Description	List Price	Total
65-1572TWDS	1	Tall Mount Door Hutch w/Paper Slots	W\$ 3,723 CV\$ 4,281	W\$ 3,723 CV\$ 4,281
65-1884WL	1	Tall Wardrobe/Storage Cabinet - Left	W\$ 2,462 CV\$ 2,831	W\$ 2,462 CV\$ 2,831
65-1884WR	1	Tall Wardrobe/Storage Cabinet - Right	W\$ 2,462 CV\$ 2,831	W\$ 2,462 CV\$ 2,831
67-2472KC	1	Kneespace Credenza Full Pedestal	W/P\$ 3,097 CV\$ 3,561 TXP\$ 3,151	W/P\$ 3,097 CV\$ 3,561 TXP\$ 3,151
67-3672DPS	1	Executive Dbl Ped Desk Rectangular Top	W/P\$ 3,744 CV\$ 4,306 TXP\$ 3,811	W/P\$ 3,744 CV\$ 4,306 TXP\$ 3,811
WW-1972TRWPS	1	Tool Rail Work Wall	GR1\$ 645	GR1\$ 645
<b>TOTAL LIST</b>			<b>W/P\$ 16,133</b>	<b>W/P\$ 16,133</b>
			<b>CV\$ 18,455</b>	<b>CV\$ 18,455</b>
			<b>TXP\$ 16,254</b>	<b>TXP\$ 16,254</b>

# Gesso

Typical 65-9



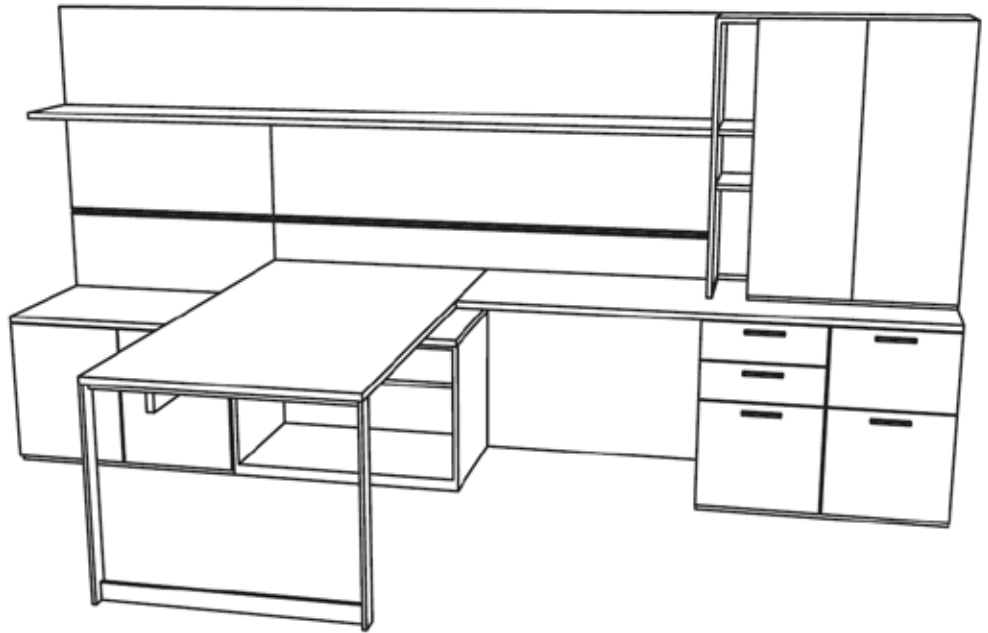
Model #	Qty	Description	List Price	Total
65-15108LS	1	Open Wall Mount L-Shelf	W\$ 1,446 CV\$ 1,663	W\$ 1,446 CV\$ 1,663
65-2436L21BC	1	21" Low Modular Open Storage	W\$ 1,267 CV\$ 1,457	W\$ 1,267 CV\$ 1,457
65-2436L21DB	1	21" Low Modular Door Bookcase	W\$ 1,444 CV\$ 1,661	W\$ 1,444 CV\$ 1,661
65-1807USP21	1	Layer Support Over Low Height Cabinets	W\$ 296 CV\$ 340	W\$ 296 CV\$ 340
65-7220BP	1	Low Height Back Panel	W\$ 492 CV\$ 566	W\$ 492 CV\$ 566
65-3615TUDBL	1	Top Unit Door Bookcase	W\$ 2,388 CV\$ 2,747	W\$ 2,388 CV\$ 2,747
01-3628BL	1	Seated Height Modular Peninsula Support	A\$ 434	A\$ 434
65-6807MOD	1	7" Veneer Modesty Panel	W\$ 466 CV\$ 536	W\$ 466 CV\$ 536
65-2418PD1	1	Modular Pedestal Box/Box/File	W\$ 1,431 CV\$ 1,646	W\$ 1,431 CV\$ 1,646
65-2418PD2	1	Modular Pedestal File/File	W\$ 1,431 CV\$ 1,646	W\$ 1,431 CV\$ 1,646

Continued on next page

**Indiana**  
FURNITURE

# Gesso

Typical 65-9  
(Continued)



Model #	Qty	Description	List Price	Total
65-2472TP	2	Modular Cabinet Tops	W/P\$ 682 CV\$ 783 TXP\$ 736	W/P\$ 1,364 CV\$ 1,566 TXP\$ 1,472
65-3672TP	1	Modular Desk Top	W/P\$ 830 CV\$ 954 TXP\$ 897	W/P\$ 830 CV\$ 954 TXP\$ 897
65-7228BP	1	Modular Modesty Panel	W\$ 568 CV\$ 652	W\$ 568 CV\$ 652
WW-3136TTRW	1	Tool Rail Work Wall	G1\$ 606	G1\$ 606
WW-2372TRW	1	Tool Rail Work Wall	G1\$ 706	G1\$ 706
<b>TOTAL LIST</b>			<b>W/P\$ 15,073</b>	<b>W/P\$ 15,073</b>
			<b>CV\$ 17,070</b>	<b>CV\$ 17,070</b>
			<b>TXP\$ 15,140</b>	<b>TXP\$ 15,140</b>

# Gesso

Typical 65-10



Model #	Qty	Description	List Price	Total
01-3028BL	2	Seated Height Modular Peninsula Support	A\$ 390	A\$ 780
01-ACCTRAYC	1	Accessory Tray	CLR\$ 81	CLR\$ 81
01-FLDRSRTRC	1	Tool Rail Folder Sorter	CLR\$ 83	CLR\$ 83
01-LTRTRAYC	1	Letter Tray	CLR\$ 77	CLR\$ 77
65-3020BP	1	Low Height Back Panel	W\$ 306 CV\$ 353	W\$ 306 CV\$ 353
65-7820BP	2	Low Height Back Panel	W\$ 508 CV\$ 584	W\$ 1,016 CV\$ 1,168
TB-3148W	2	Wall Mounted Hutch Tackboard	GR1\$ 385	GR1\$ 770
WW-3148TTRW	2	Tool Rail Work Wall	GR1\$ 672	GR1\$ 1,344
65-2018L21BF	2	21" Low Modular Box/File	W\$ 1,193 CV\$ 1,372	W\$ 2,386 CV\$ 2,744
65-2030L21BC	3	21" Low Modular Open Storage	W\$ 1,161 CV\$ 1,336	W\$ 3,483 CV\$ 4,008
65-2030L21BF	2	21" Low Modular Box/File	W\$ 1,407 CV\$ 1,618	W\$ 2,814 CV\$ 3,236
65-2078TP	2	Modular Cabinet Top	W/P\$ 624 CV\$ 718 TXP\$ 674	W/P\$ 1,248 CV\$ 1,436 TXP\$ 1,348

Continued on next page

**Indiana**  
FURNITURE

# Gesso

Typical 65-10  
(Continued)



Model #	Qty	Description	List Price	Total
65-2030TP	1	Modular Cabinet top	W/P\$ 365 CV\$ 419 TXP\$ 394	W/P\$ 365 CV\$ 419 TXP\$ 394
65-1578WD	2	Wall Mount Door Hutch	W\$ 2,453 CV\$ 2,823	W\$ 4,906 CV\$ 5,646
65-1530OW	1	Wall Mount Open Hutch	W\$ 936 CV\$ 1076	W\$ 936 CV\$ 1076
65-3060TP	2	Modular Top Desk	W/P\$ 689 CV\$ 793 TXP\$ 744	W/P\$ 1,378 CV\$ 1,586 TXP\$ 1,488
65-5607MOD	2	7" Veneer Modesty Panel	W\$ 449 CV\$ 517	W\$ 898 CV\$ 1,034
65-1807USP21	2	Layer Support Over Low Height Cabinets	W\$ 296 CV\$ 340	W\$ 592 CV\$ 680
65-3636CT	1	Circular Top	W/P\$ 712 CV\$ 820 TXP\$ 770	W/P\$ 712 CV\$ 820 TXP\$ 770
08-2030SXB	1	Small X Base	\$ 689	\$ 689
<b>TOTAL LIST</b>			<b>W/P\$ 24,861</b>	<b>W/P\$ 24,861</b>
			<b>CV\$ 28,030</b>	<b>CV\$ 28,030</b>
			<b>TXP\$ 25,161</b>	<b>TXP\$ 25,161</b>

# Gesso

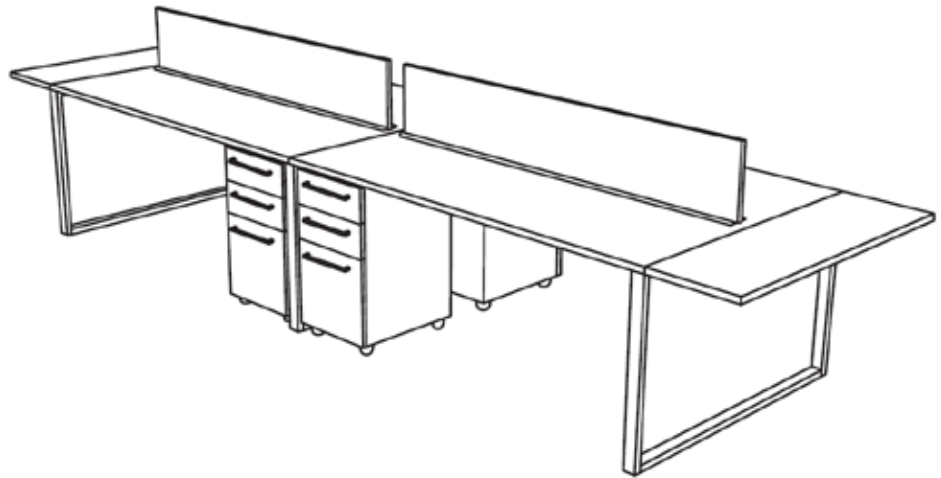
Typical 65-11



Model #	Qty	Description	List Price	Total
01-2428BL	2	Seated Height Modular Peninsula Support	A\$ 364	A\$ 728
TB-6678W	2	Wall Miunted Hutch Tackboard	GR1\$ 448	GR1\$ 896
65-2018L21BC	2	21" Low Modular Open Storage	W\$ 1,058 CV\$ 1,217	W\$ 2,116 CV\$ 2,434
65-2036L21BF	2	21" Low Modular Box/File	W\$ 1,467 CV\$ 1,687	W\$ 2,934 CV\$ 3,374
65-2018L21BF	2	21" Low Modular Box/File	W\$ 1,193 CV\$ 1,372	W\$ 2,386 CV\$ 2,744
65-2072TP	2	Modular Cabinet Top	W/P\$ 607 CV\$ 698 TXP\$ 655	W/P\$ 1,214 CV\$ 1,396 TXP\$ 1,310
65-5172GS	1	Straight Floorstanding Gallery Screen	W\$ 1,309 CV\$ 1,506	W\$ 1,309 CV\$ 1,506
01-00060SB	2	Stiffener Bar	\$ 175	\$ 350
65-2003FP	2	Filler Panel	W\$ 212 CV\$ 244	W\$ 424 CV\$ 488
65-1578SWD	2	Wall Mounted Sliding Door Hutch	W\$ 2,910 CV\$ 3,397	W\$ 5,820 CV\$ 6,694
01-2407OL	2	Layer Support for Low Credenza	A\$ 317	A\$ 634
65-2478TP	2	Modular Cabinet Top	W/P\$ 701 CV\$ 805 TXP\$ 757	W/P\$ 1,402 CV\$ 1,610 TXP\$ 1,514
<b>TOTAL LIST</b>			<b>W/P\$ 20,213</b>	<b>W/P\$ 20,213</b>
			<b>CV\$ 22,854</b>	<b>CV\$ 22,854</b>
			<b>TXP\$ 20,421</b>	<b>TXP\$ 20,421</b>

# Gesso

Typical 65-12



Model #	Qty	Description	List Price	Total
01-3028OLS	2	Seated Height Shared Metal Leg	A\$ 383	A\$ 766
01-6028OL	2	Seated Height Modular Peninsula Support	A\$ 556	A\$ 1,112
65-1519MP2	4	Mobile Pedestal File/File	W\$ 1,468 CV\$ 1,688	W\$ 5,872 CV\$ 6,752
65-1560DTP	2	Desk Top Extensions	W\$ 443 CV\$ 509	W\$ 886 CV\$ 1,018
65-6072TP	2	Modular Desk Top	W/P\$ 1,272 CV\$ 1,463 TXP\$ 1,374	W/P\$ 2,544 CV\$ 2,926 TXP\$ 2,748
65-6812PP	2	12" Veneer Privacy Panel	W\$ 493 CV\$ 567	W\$ 986 CV\$ 1,134
<b>TOTAL LIST</b>			<b>W/P\$ 12,166</b>	<b>CV\$ 13,708</b>
			<b>TXP\$ 12,370</b>	