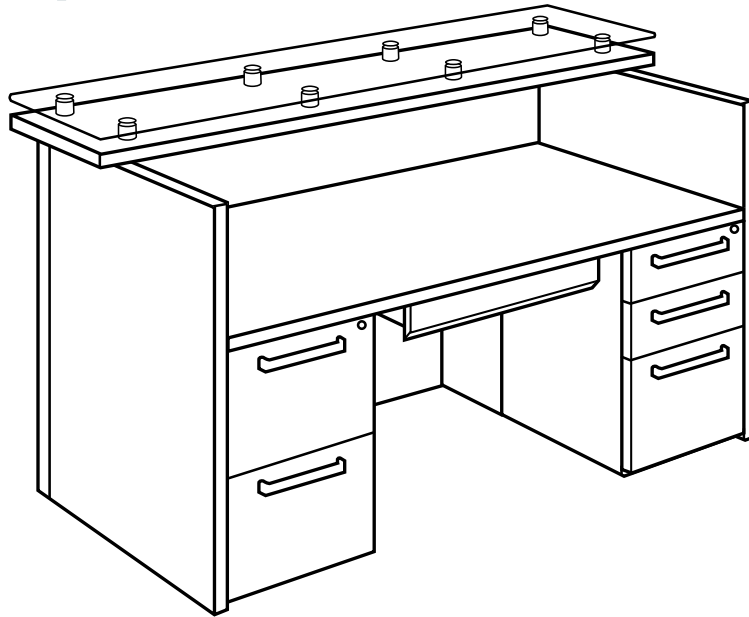


# Aura Reception

## Typical 62-1



### HPL Transaction Top:

Model #	Qty	Description	List Price	Total
62-3672RS	1	Reception Station Desk Shell w/HPL Transaction Top	\$3,662	\$3,662
62-72SOG	1	Glass Transaction Top	\$1,792	\$1,792
62-2418PD1	1	Component Pedestal Box/Box/File	\$1,835	\$1,835
62-2418PD2	1	Component Pedestal File/File	\$1,835	\$1,835
62-1622CD	1	Center Drawer	\$227	\$227
TOTAL HPL LIST				<b>\$9,351</b>

### Veneer Transaction Top:

Model #	Qty	Description	List Price	Total
62-3672RS	1	Reception Station Desk Shell w/HPL Transaction Top	\$3,713	\$3,713
62-72SOG	1	Glass Transaction Top	\$1,792	\$1,792
62-2418PD1	1	Component Pedestal Box/Box/File	\$1,835	\$1,835
62-2418PD2	1	Component Pedestal File/File	\$1,835	\$1,835
62-1622CD	1	Center Drawer	\$227	\$227
TOTAL VENEER LIST				<b>\$9,402</b>

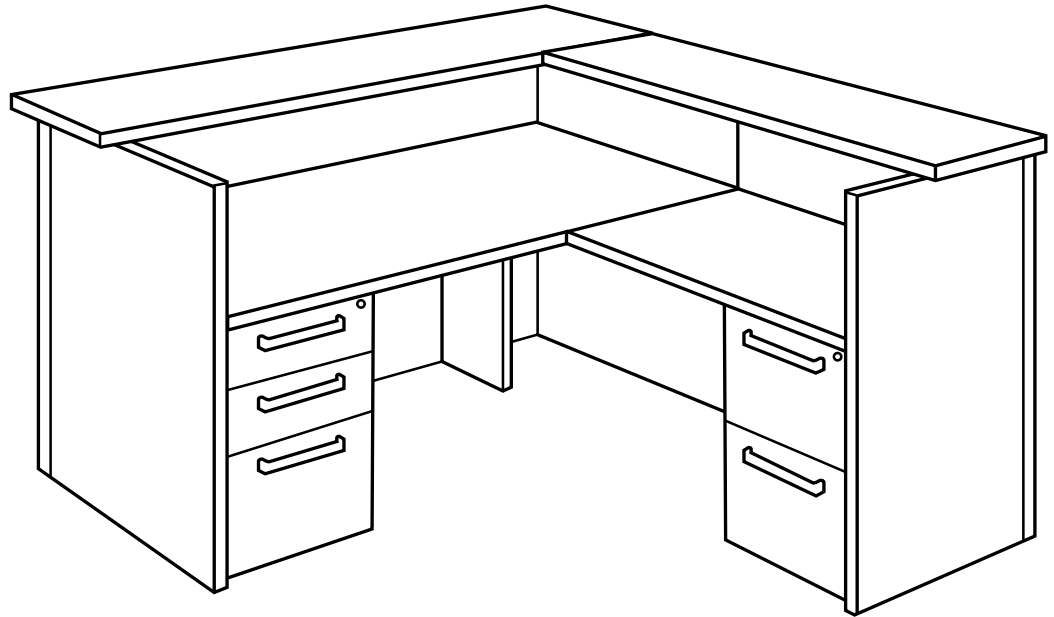
Prices based on February 2020 Price List. Excludes Accessories and Seating.

**Indiana**  
FURNITURE

800.422.5727 IndianaFurniture.com

# Aura Reception

Typical 62-2



## HPL Transaction Top:

Model #	Qty	Description	List Price	Total
62-3678RS	1	Reception Station Desk Shell w/HPL Transaction Top	\$3,846	\$3,846
62-2418PD1	1	Component Pedestal Box/Box/File	\$1,835	\$1,835
62-2542RSRF	1	Reception Station Right Return Shell	\$1,471	\$1,471
62-1270RTP	1	Return HPL Transaction Top	\$850	\$850
62-2418PD2		Component Pedestal File/File	\$1,835	\$1,835
TOTAL HPL LIST			<b>\$9,837</b>	

## Veneer Transaction Top:

Model #	Qty	Description	List Price	Total
62-3678RS	1	Reception Station Desk Shell w/HPL Transaction Top	\$3,846	\$3,846
62-2418PD1	1	Component Pedestal Box/Box/File	\$1,835	\$1,835
62-2542RSRF	1	Reception Station Right Return Shell	\$1,471	\$1,471
62-1270RTP	1	Return HPL Transaction Top	\$850	\$850
62-2418PD2		Component Pedestal File/File	\$1,835	\$1,835
TOTAL VENEER LIST			<b>\$9,909</b>	

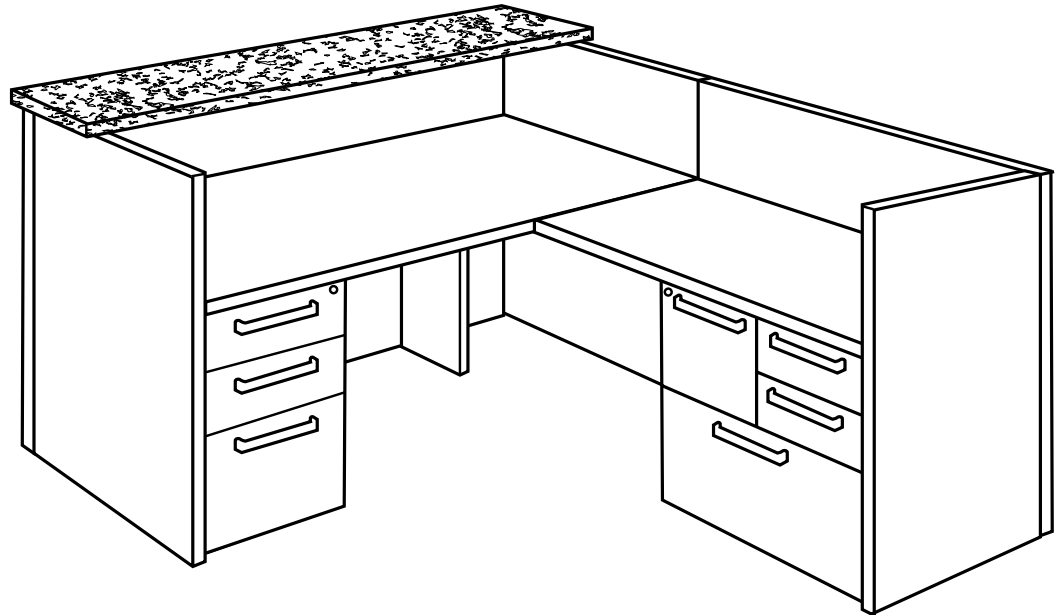
Prices based on February 2020 Price List. Excludes Accessories and Seating.

**Indiana**  
FURNITURE

800.422.5727 IndianaFurniture.com

# Aura Reception

Typical 62-3



Model #	Qty	Description	List Price	Total
62-3672RSS	1	Reception Station Desk Shell w/Solid Surface Transaction Top	\$5,114	\$5,114
62-2418PD1	1	Component Pedestal Box/Box/File	\$1,835	\$1,835
62-2560RSRF	1	Reception Station Right Return Shell	\$1,766	\$1,766
62-2436MF1	1	Return w/HPL Transaction Top	\$2,867	\$2,867
TOTAL LIST			<b>\$11,582</b>	

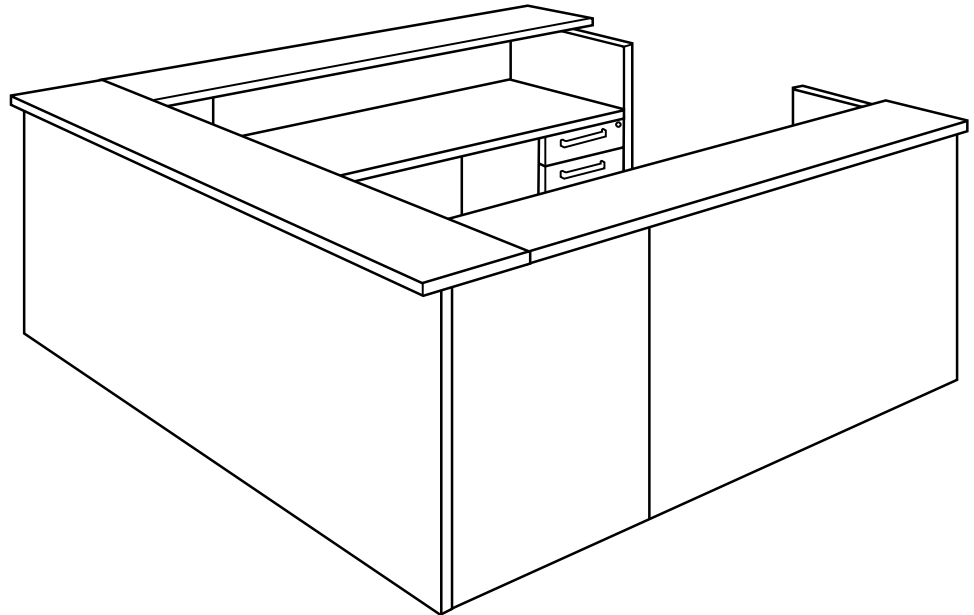
Prices based on February 2020 Price List. Excludes Accessories and Seating.

**Indiana**  
FURNITURE

800.422.5727 [IndianaFurniture.com](http://IndianaFurniture.com)

# Aura Reception

Typical 62-4



## HPL Transaction Top:

Model #	Qty	Description	List Price	Total
62-3084RS	1	Reception Station Desk Shell w/HPL Transaction Top	\$3,713	\$3,713
62-2554RSLF	1	Reception Station Left Return Shell	\$1,678	\$1,678
62-2554RSRF	1	Reception Station Right Return Shell	\$1,678	\$1,678
62-1276RTP	2	Return w/HPL Transaction Top	\$891	\$1,782
62-2418PD1	1	Component Pedestal Box/Box/File	\$1,835	\$1,835
62-2418PD2	1	Component Pedestal File/File	\$1,835	\$1,835
TOTAL TFL LIST			<b>\$12,521</b>	

## Veneer Transaction Top:

Model #	Qty	Description	List Price	Total
62-3084RS	1	Reception Station Desk Shell w/Veneer Transaction Top	\$3,771	\$3,771
62-2554RSLF	1	Reception Station Left Return Shell	\$1,678	\$1,678
62-2554RSRF	1	Reception Station Right Return Shell	\$1,678	\$1,678
62-1276RTP	2	Return w/Veneer Transaction Top	\$959	\$1,918
62-2418PD1	1	Component Pedestal Box/Box/File	\$1,835	\$1,835
62-2418PD2	1	Component Pedestal File/File	\$1,835	\$1,835
TOTAL VENEER LIST			<b>\$12,715</b>	

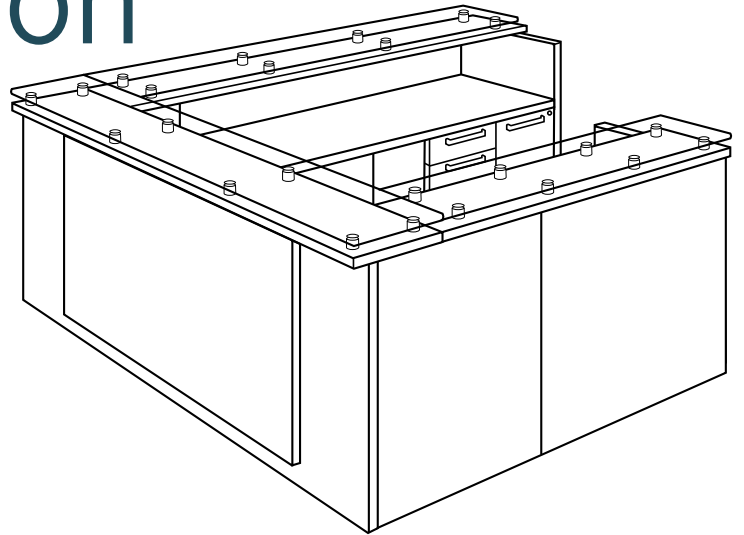
Prices based on February 2020 Price List. Excludes Accessories and Seating.

**Indiana**  
FURNITURE

800.422.5727 IndianaFurniture.com

# Aura Reception

## Typical 62-5



### HPL Transaction Top:

Model #	Qty	Description	List Price	Total
62-3084RS	1	Reception Station Desk Shell w/HPL Transaction Top	\$3,713	\$3,713
62-84SOG	1	Glass Transaction Top for Desk Shell	\$2,129	\$2,129
62-2554RSLF	1	Reception Station Left Return Shell	\$1,471	\$1,471
62-2554RSRF	1	Reception Station Right Return Shell	\$1,766	\$1,766
62-2418PD1	1	Component Pedestal Box/Box/File	\$1,835	\$1,835
62-2436MF1	1	Component Pedestal Multi/File	\$2,867	\$2,867
62-1264RTP	1	Return w/HPL Transaction Top	\$816	\$816
62-64SOG	1	Glass Transaction Top for Return Shell	\$1,729	\$1,729
62-1282RTP	1	Return w/HPL Transaction Top	\$940	\$940
62-82SOG	1	Glass Transaction Top for Return Shell	\$2,089	\$2,089
62-OV84	1	Modesty Panel Overlay for Desk Shell	\$591	\$591
<b>TOTAL TFL LIST</b>			<b>\$19,946</b>	

### Veneer Transaction Top:

Model #	Qty	Description	List Price	Total
62-3084RS	1	Reception Station Desk Shell w/Veneer Transaction Top	\$3,771	\$3,771
62-84SOG	1	Glass Transaction Top for Desk Shell	\$2,129	\$2,129
62-2554RSLF	1	Reception Station Left Return Shell	\$1,471	\$1,471
62-2554RSRF	1	Reception Station Right Return Shell	\$1,766	\$1,766
62-2418PD1	1	Component Pedestal Box/Box/File	\$1,835	\$1,835
62-2436MF1	1	Component Pedestal Multi/File	\$2,867	\$2,867
62-1264RTP	1	Return w/Veneer Transaction Top	\$862	\$862
62-64SOG	1	Glass Transaction Top for Return Shell	\$1,729	\$1,729
62-1282RTP	1	Return w/Veneer Transaction Top	\$990	\$990
62-82SOG	1	Glass Transaction Top for Return Shell	\$2,089	\$2,089
62-OV84	1	Modesty Panel Overlay for Desk Shell	\$591	\$591
<b>TOTAL VENEER LIST</b>			<b>\$20,100</b>	

Prices based on February 2020 Price List. Excludes Accessories and Seating.

**Indiana**  
FURNITURE

800.422.5727 IndianaFurniture.com