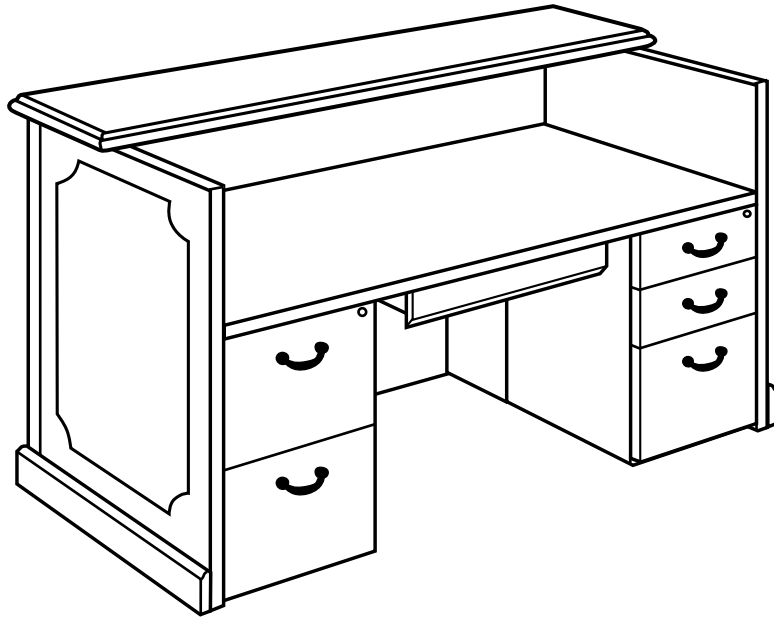


Cameo Reception

Typical 61-1



TFL Transaction Top:

| Model # | Qty | Description | List Price | Total |
|----------------|-----|--|----------------|---------|
| 61-3672RS | 1 | Reception Station Desk Shell w/HPL Transaction Top | \$4,022 | \$4,022 |
| 61-1622CD | 1 | Center Drawer | \$227 | \$227 |
| 61-2418PD1 | 1 | Component Pedestal Box/Box/File | \$1,822 | \$1,822 |
| 61-2418PD2 | 1 | Component Pedestal Box/Box/File | \$1,822 | \$1,822 |
| TOTAL TFL LIST | | | \$7,893 | |

Veneer Transaction Top:

| Model # | Qty | Description | List Price | Total |
|-------------------|-----|--|----------------|---------|
| 61-3672RS | 1 | Reception Station Desk Shell w/HPL Transaction Top | \$4,174 | \$4,174 |
| 61-1622CD | 1 | Center Drawer | \$227 | \$227 |
| 61-2418PD1 | 1 | Component Pedestal Box/Box/File | \$1,822 | \$1,822 |
| 61-2418PD2 | 1 | Component Pedestal Box/Box/File | \$1,822 | \$1,822 |
| TOTAL VENEER LIST | | | \$8,045 | |

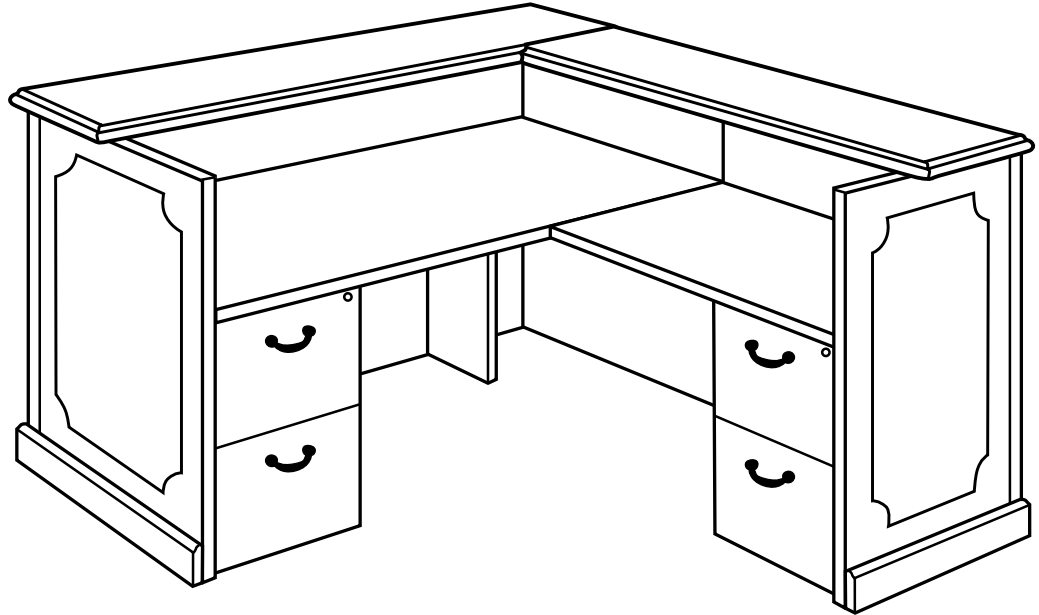
Prices based on February 2019 Price List. Excludes Accessories and Seating.
Finishes Shown:

Indiana
FURNITURE

800.422.5727 IndianaFurniture.com

Cameo Reception

Typical 61-2



TFL Transaction Top:

| Model # | Qty | Description | List Price | Total |
|----------------|-----|--|-----------------|---------|
| 61-3672RS | 1 | Reception Station Desk Shell w/HPL Transaction Top | \$4,022 | \$4,022 |
| 61-2548RSRF | 1 | Reception Station Return Shell | \$1,738 | \$1,738 |
| 61-1276RTP | 1 | Return Transaction Top | \$861 | \$861 |
| 61-2418PD1 | 1 | Component Pedestal File/File | \$1,822 | \$3,644 |
| TOTAL TFL LIST | | | \$10,265 | |

Veneer Transaction Top:

| Model # | Qty | Description | List Price | Total |
|-------------------|-----|--|-----------------|---------|
| 61-3672RS | 1 | Reception Station Desk Shell w/HPL Transaction Top | \$4,174 | \$4,174 |
| 61-2548RSRF | 1 | Reception Station Return Shell | \$1,738 | \$1,738 |
| 61-1276RTP | 1 | Return Transaction Top | \$983 | \$983 |
| 61-2418PD1 | 1 | Component Pedestal File/File | \$1,822 | \$3,644 |
| TOTAL VENEER LIST | | | \$10,539 | |

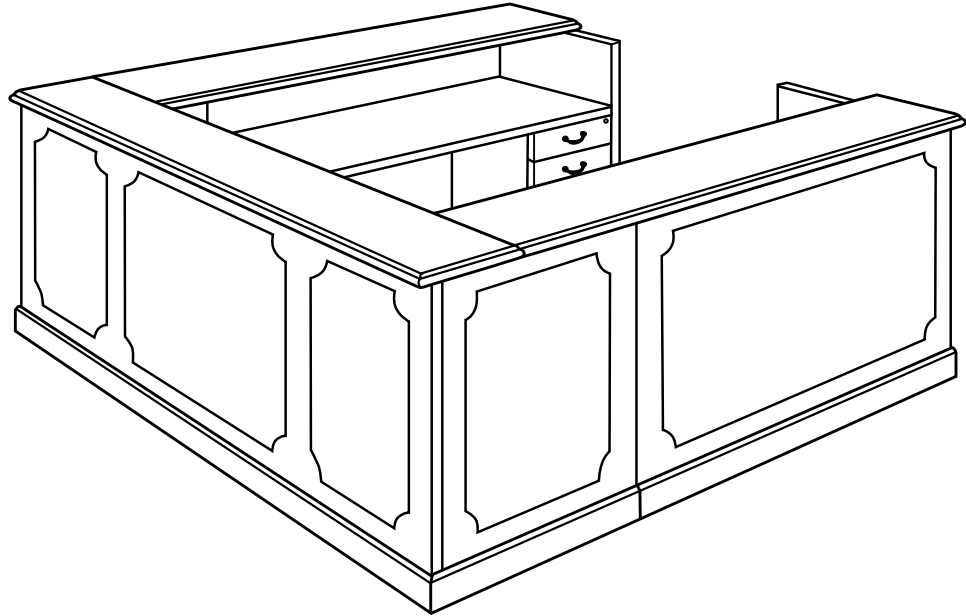
Prices based on February 2019 Price List. Excludes Accessories and Seating.
Finishes Shown:

Indiana
FURNITURE

800.422.5727 IndianaFurniture.com

Cameo Reception

Typical 61-3



TFL Transaction Top:

| Model # | Qty | Description | List Price | Total |
|-----------------------|-----|--|-----------------|---------|
| 61-3684RS | 1 | Reception Station Desk Shell w/HPL Transaction Top | \$4,432 | \$4,432 |
| 61-2548RSLF | 1 | Reception Station Left Return Shell | \$1,738 | \$1,738 |
| 61-2548RSRF | 1 | Reception Station Right Return Shell | \$1,738 | \$1,738 |
| 61-1276RTP | 2 | Return w/HPL Transaction Top | \$861 | \$1,722 |
| 61-2418PD1 | 1 | Component Pedestal Box/Box/File | \$1,822 | \$1,822 |
| 61-2418PD2 | 1 | Component Pedestal File/File | \$1,822 | \$1,822 |
| 61-1622CD | 1 | Center Drawer | \$227 | \$227 |
| TOTAL TFL LIST | | | \$13,501 | |

Veneer Transaction Top:

| Model # | Qty | Description | List Price | Total |
|--------------------------|-----|---|-----------------|---------|
| 61-3684RS | 1 | Reception Station Desk Shell w/Veneer Transaction Top | \$4,489 | \$4,489 |
| 61-2548RSLF | 1 | Reception Station Left Return Shell | \$1,738 | \$1,738 |
| 61-2548RSRF | 1 | Reception Station Right Return Shell | \$1,738 | \$1,738 |
| 61-1276RTP | 2 | Return w/Veneer Transaction Top | \$983 | \$1,966 |
| 61-2418PD1 | 1 | Component Pedestal Box/Box/File | \$1,822 | \$1,822 |
| 61-2418PD2 | 1 | Component Pedestal File/File | \$1,822 | \$1,822 |
| 61-1622CD | 1 | Center Drawer | \$227 | \$227 |
| TOTAL VENEER LIST | | | \$13,802 | |

Prices based on February 2019 Price List. Excludes Accessories and Seating.
Finishes Shown:

Indiana
FURNITURE

800.422.5727 IndianaFurniture.com