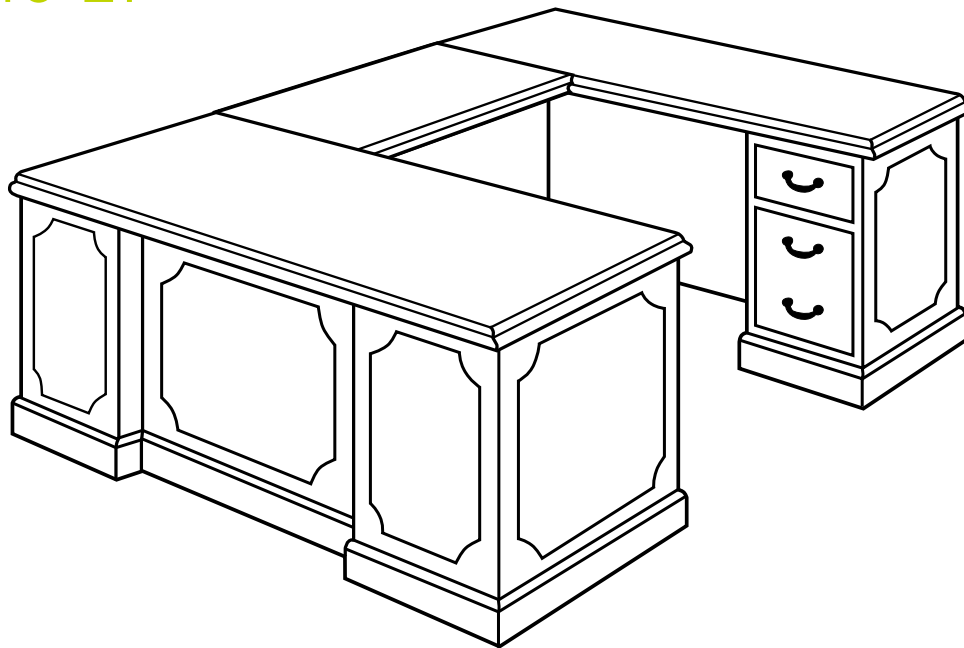


Jefferson

Typical 46-21



1 $\frac{1}{16}$ " Veneer or Laminate Top (C1):

Model #	Qty	Description	List Price	Total
46-3672LP	1	Single Pedestal Rectangular Top Desk, Left	\$4,282	\$4,282
46-2450UF	1	Bridge w/Full Modesty	\$1,496	\$1,496
46-2072RC	1	Single Pedestal Credenza w/Box/File, Right	\$3,281	\$3,281
TOTAL C1 LIST			\$9,059	

1 $\frac{3}{16}$ " Veneer or Laminate Top(C2):

Model #	Qty	Description	List Price	Total
16-3672LPS	1	Single Pedestal Rectangular Top Desk, Left	\$4,489	\$4,489
16-3672LPS	1	Bridge w/Full Modesty	\$1,592	\$1,592
16-2448RF	1	Single Pedestal Credenza w/Box/File, Right	\$3,396	\$3,396
TOTAL C2 LIST			\$9,477	

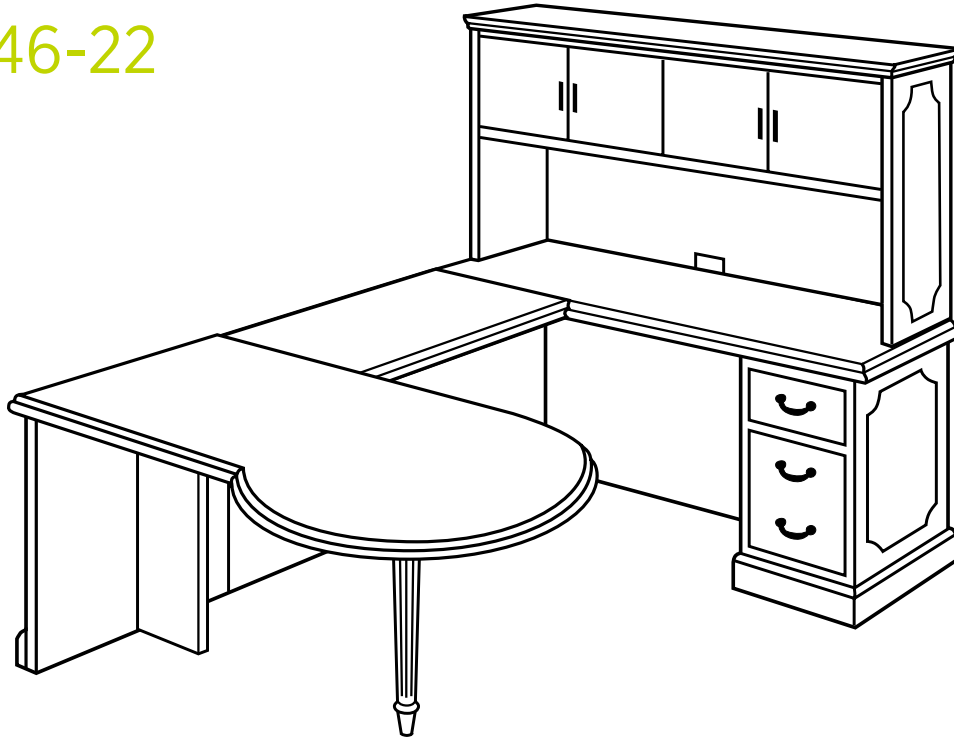
Prices based on February 2020 Price List.

Indiana
FURNITURE

800.422.5727 IndianaFurniture.com

Jefferson

Typical 46-22



1 $\frac{1}{16}$ " Veneer or Laminate Top (C1):

Model #	Qty	Description	List Price	Total
46-4272PL	1	P-Top Desk, Left	\$4,101	\$4,101
46-2450UF	1	Bridge w/Full Modesty	\$1,496	\$1,496
46-2072RC	1	Single Pedestal Credenza w/Box/File, Right	\$3,281	\$3,281
46-1572HU	1	Surface Mount Hutch	\$4,611	\$4,611
TB-4672H	1	Tackboard - <i>Priced in Gr 1</i>	\$390	\$390
TL-0848	1	Task Light	\$306	\$306
TOTAL C1 LIST			\$14,185	

1 $\frac{3}{16}$ " Veneer or Laminate Top (C2):

Model #	Qty	Description	List Price	Total
46-4272PL	1	P-Top Desk, Left	\$4,344	\$4,344
46-2450UF	1	Bridge w/Full Modesty	\$1,592	\$1,592
46-2072RC	1	Single Pedestal Credenza w/Box/File, Right	\$3,396	\$3,396
46-1572HU	1	Surface Mount Hutch	\$4,698	\$4,698
TB-4672H	1	Tackboard - <i>Priced in Gr 1</i>	\$390	\$390
TL-0848	1	Task Light	\$306	\$306
TOTAL C2 LIST			\$14,726	

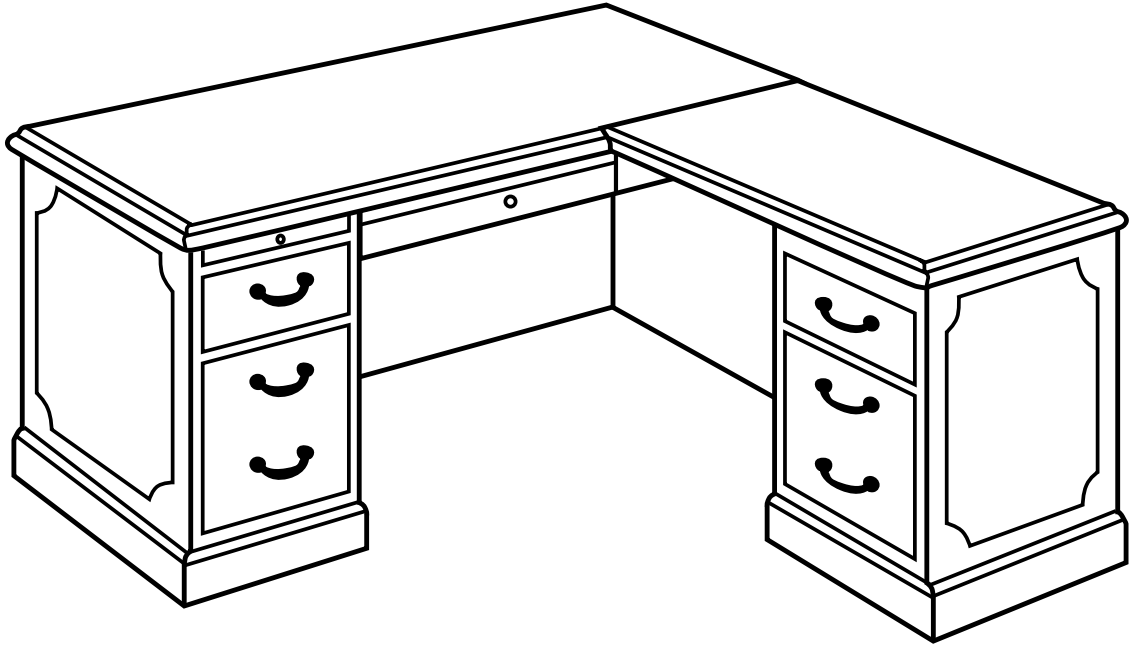
Prices based on February 2020 Price List.

Indiana
FURNITURE

800.422.5727 IndianaFurniture.com

Jefferson

Typical 46-20



1 $\frac{1}{16}$ " Veneer or Laminate Top (C1):

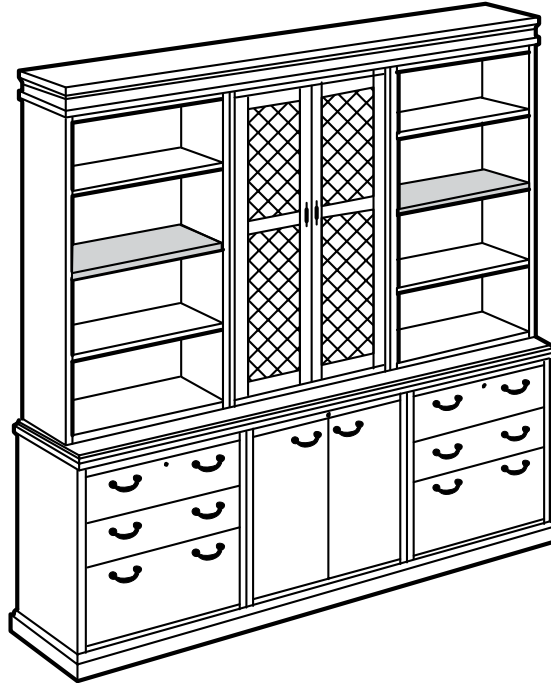
Model #	Qty	Description	List Price	Total
46-3672LP	1	Single Pedestal Rectangular Top Desk, Left	\$4,282	\$4,282
46-2445RF	1	Return w/Box/File	\$2,886	\$2,886
TOTAL C1 LIST			\$7,168	

1 $\frac{3}{16}$ " Veneer or Laminate Top (C2):

Model #	Qty	Description	List Price	Total
46-3672LP	1	Single Pedestal Rectangular Top Desk, Left	\$4,489	\$4,489
46-2445RF	1	Return w/Box/File	\$2,973	\$2,973
TOTAL C2 LIST			\$7,462	

Jefferson

Typical 46-4



1¹/₁₆" Veneer or Laminate Top (C1):

Model #	Qty	Description	List Price	Total
46-1589FC	1	Overhead Cornice Frame w/Insert Panel	\$766	\$766
46-2952BC	2	Bookcase	\$1,240	\$2,480
46-2952MB	1	Grille Mesh Door Bookcase	\$2,163	\$2,163
46-2089TP	1	Cabinet/Credenza Top	\$1,175	\$1,175
46-1829MU	2	Modular Storage Box/Box/File	\$2,013	\$4,026
46-1829MS	1	Modular Storage	\$1,479	\$1,479
46-2089BS		Cabinet/Credenza Base	\$807	\$807
TOTAL C1 LIST			\$12,896	

1³/₁₆" Veneer or Laminate Top (C2):

Model #	Qty	Description	List Price	Total
46-1589FC	1	Overhead Cornice Frame w/Insert Panel	\$766	\$766
46-2952BC	2	Bookcase	\$1,240	\$2,480
46-2952MB	1	Grille Mesh Door Bookcase	\$2,163	\$2,163
46-2089TP	1	Cabinet/Credenza Top	\$1,318	\$1,318
46-1829MU	2	Modular Storage Box/Box/File	\$2,013	\$4,026
46-1829MS	1	Modular Storage	\$1,479	\$1,479
46-2089BS		Cabinet/Credenza Base	\$807	\$807
TOTAL C2 LIST			\$13,039	

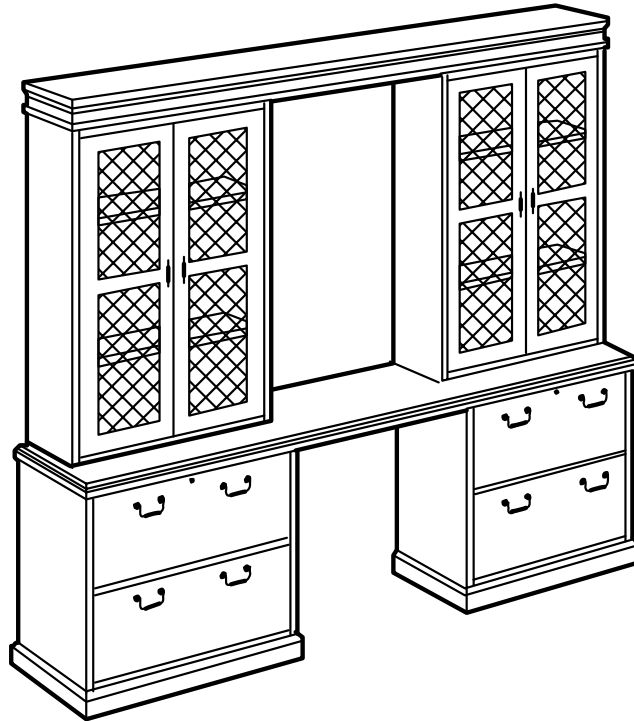
Prices based on February 2020 Price List.

Indiana
FURNITURE

800.422.5727 IndianaFurniture.com

Jefferson

Typical 46-17



1 $\frac{1}{16}$ " Veneer or Laminate Top (C1):

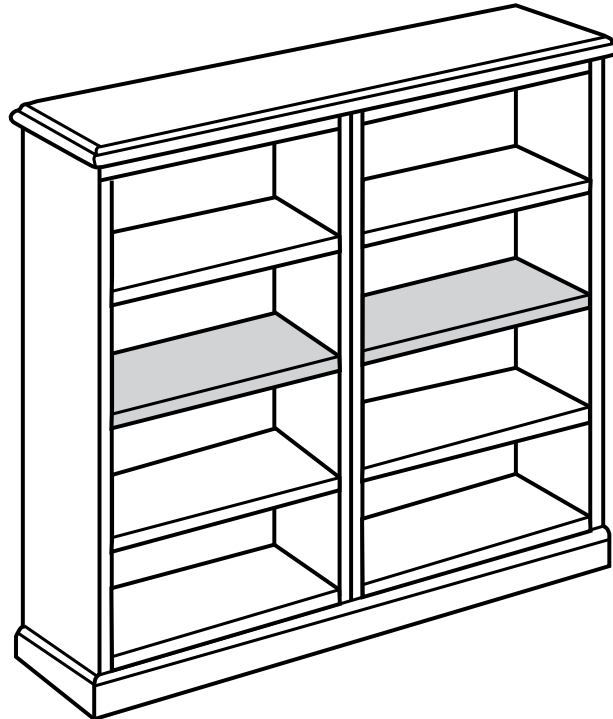
Model #	Qty	Description	List Price	Total
46-1589FC	1	Overhead Cornice Frame w/Insert Panel	\$766	\$766
46-2952MB	2	Grille Mesh Door Bookcase	\$2,163	\$4,326
46-2089TP	1	Cabinet/Credenza Top	\$1,175	\$1,175
46-1829MF	2	Modular Storage File/File	\$2,013	\$4,026
46-1829MF	2	Cabinet/Credenza Base	\$353	\$706
TOTAL C1 LIST			\$10,999	

1 $\frac{3}{16}$ " Veneer or Laminate Top (C2):

Model #	Qty	Description	List Price	Total
46-1589FC	1	Overhead Cornice Frame w/Insert Panel	\$766	\$766
46-2952MB	2	Grille Mesh Door Bookcase	\$2,163	\$4,326
46-2089TP	1	Cabinet/Credenza Top	\$1,318	\$1,318
46-1829MF	2	Modular Storage File/File	\$2,013	\$4,026
46-1829MF	2	Cabinet/Credenza Base	\$353	\$706
TOTAL C2 LIST			\$11,142	

Jefferson

Typical 46-13



1¹/₁₆" Veneer or Laminate Top (C1):

Model #	Qty	Description	List Price	Total
46-1560TP	1	Bookcase Top	\$704	\$704
46-2952BC	2	Bookcase	\$1,240	\$2,480
46-1560BS	1	Bookcase Base	\$407	\$407
TOTAL C1 LIST			\$3,591	

1³/₁₆" Veneer or Laminate Top (C2):

Model #	Qty	Description	List Price	Total
46-1560TP	1	Bookcase Top	\$778	\$778
46-2952BC	2	Bookcase	\$1,240	\$2,480
46-1560BS	1	Bookcase Base	\$407	\$407
TOTAL C2 LIST			\$3,665	

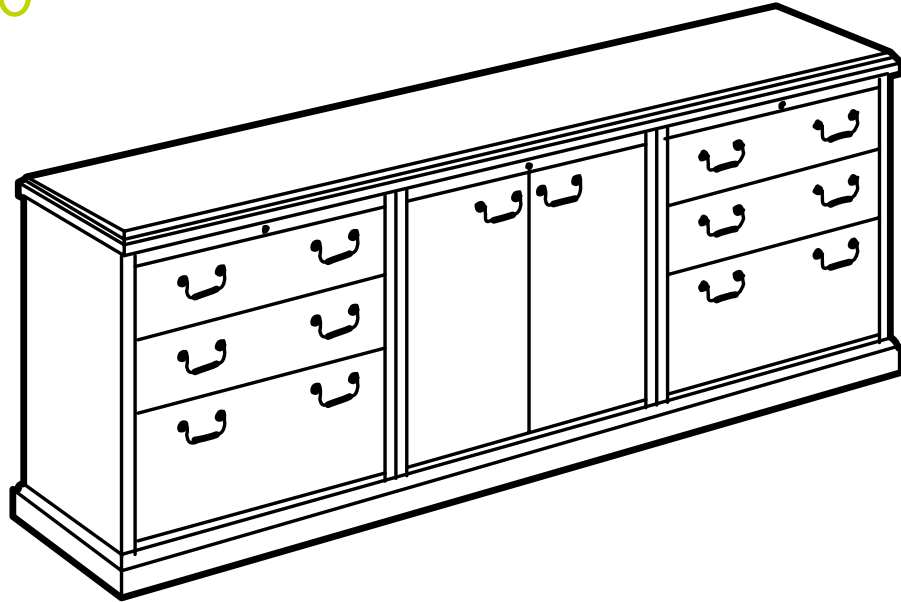
Prices based on February 2020 Price List.

Indiana
FURNITURE

800.422.5727 IndianaFurniture.com

Jefferson

Typical 46-10



1¹/₁₆" Veneer or Laminate Top (C1):

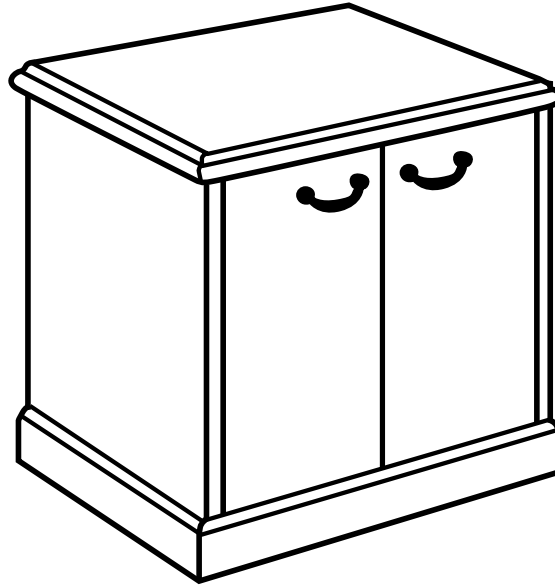
Model #	Qty	Description	List Price	Total
46-2089TP	1	Cabinet/Credenza Top	\$1,175	\$1,175
46-1829MS	1	Modular Storage Cabinet	\$1,479	\$1,479
46-1829MU	2	Modular Storage Box/Box/File	\$2,013	\$4,026
46-2089BS	1	Cabinet/Credenza Base	\$807	\$807
TOTAL C1 LIST			\$7,487	

1³/₁₆" Veneer or Laminate Top (C2):

Model #	Qty	Description	List Price	Total
46-2089TP	1	Cabinet/Credenza Top	\$1,318	\$1,318
46-1829MS	1	Modular Storage Cabinet	\$1,479	\$1,479
46-1829MU	2	Modular Storage Box/Box/File	\$2,013	\$4,026
46-2089BS	1	Cabinet/Credenza Base	\$807	\$807
TOTAL C2 LIST			\$7,630	

Jefferson

Typical 46-1



1 $\frac{1}{16}$ " Veneer or Laminate Top (C1):

Model #	Qty	Description	List Price	Total
46-2031TP	1	Cabinet/Credenza Top	\$438	\$438
46-1829MS	1	Modular Storage Cabinet	\$1,479	\$1,479
46-2031BS	1	Cabinet/Credenza Base	\$353	\$353
TOTAL C1 LIST			\$2,270	

1 $\frac{3}{16}$ " Veneer or Laminate Top (C2):

Model #	Qty	Description	List Price	Total
46-2031TP	1	Cabinet/Credenza Top	\$488	\$488
46-1829MS	1	Modular Storage Cabinet	\$1,479	\$1,479
46-2031BS	1	Cabinet/Credenza Base	\$353	\$353
TOTAL C2 LIST			\$2,320	

Prices based on February 2020 Price List.

Indiana
FURNITURE

800.422.5727 IndianaFurniture.com