

# Strut Legs | Indiana FURNITURE

## Assembly Instructions

### Components:

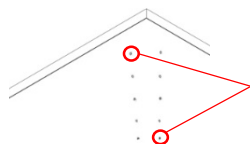
Strut Legs (Total Quantity Varies by Application)  
10 – Screw #12 x 1 PPH Black (For Each Leg)

Note: Strut Legs should only be used with tops from Indiana Furniture.

### Assembly:

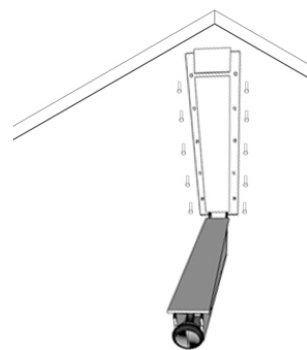
1 Find corresponding top size/model in listing to the right. This information will provide hole location measurements. See corresponding image on next page.

2 Measure and mark leg locations on top undersurface.



Dimensions are marked to these hole locations

3 Align holes on leg mounting plate with marked locations and drive all 10 screws until snug. Do not spin out.



4 Repeat steps for remaining legs until table is complete.

### 2 Legs

Applications using 2 Strut Legs (e.g., Run-Offs) should follow the Hole Locations and Stiffener Bar Recommendations for 4 Legs.

### 4 Legs

Size/Shape	SB	A	B	C	D	Size/Shape	SB	A	B	C	D
<b>30x66TP</b>	0	7 1/8	4 1/4	17 5/8	10	<b>42x72MT</b>	2	6 3/4	4	15 7/8	13 1/2
<b>30x72TP</b>	0	7 1/8	4 1/4	17 5/8	10	<b>42x72SMT</b>	2	7 1/2	4 1/2	16 3/8	14 1/8
<b>30x78TP</b>	2	7 1/8	4 1/4	17 5/8	10	<b>42x72SVT</b>	0	7 1/8	4 3/8	17 5/8	10
<b>30x84TP</b>	2	7 1/8	4 1/4	17 5/8	10	<b>42x84MT</b>	2	6 3/4	4	15 7/8	13 1/2
<b>36x66TP</b>	0	7 1/8	4 1/4	17 5/8	10	<b>42x84SMT</b>	2	7 1/2	4 3/8	16 3/8	14 1/4
<b>36x72MT/TP/RT</b>	0	7 1/8	4 1/4	17 5/8	10	<b>42x84SVT</b>	2	7 1/8	4 3/8	17 5/8	10
<b>36x72AR</b>	0	7 1/8	6 1/2	19 3/4	10	<b>42x96AR</b>	2	6 3/4	6 1/2	18 3/8	13 1/2
<b>36x72AT</b>	0	7 1/8	17	30 1/4	10	<b>42x96AT</b>	0	6 3/4	20 3/4	32 5/8	13 1/2
<b>36x72BT</b>	0	9 3/8	4 1/4	17 1/2	12 3/8	<b>42x96BT</b>	2	9 5/8	4 1/4	17 1/2	12 1/2
<b>36x72SMT</b>	0	7 7/8	4 5/8	18	10 3/4	<b>42x96MT/RT</b>	2	6 3/4	4	15 7/8	13 1/2
<b>36x78TP</b>	2	7 1/8	4 1/4	17 5/8	10	<b>42x96SMT</b>	2	7 1/2	4 1/2	16 3/8	14 1/4
<b>36x84MT/TP</b>	2	7 1/8	4 1/4	17 5/8	10	<b>42x96SVT</b>	2	7 1/8	4 3/8	17 5/8	10
<b>36x84SMT</b>	2	7 7/8	4 5/8	18	10 3/4	<b>48x48CT</b>	0	11 3/4	8 7/8	20 7/8	18 1/2
<b>36x96MT</b>	2	7 1/8	4 1/4	17 5/8	10	<b>42x42SQ</b>	0	6 3/4	4	15 7/8	13 1/2
<b>36x96SMT</b>	2	7 7/8	4 5/8	18	10 7/8	<b>42x42SSQ</b>	0	7 3/8	4 1/2	16 3/8	14

### 6 Legs

Size/ Shape	SB	A	B	C	D	E	F	G	H
<b>48x120RT</b>	0	6 3/4	4	15 7/8	13 1/2	4 5/8	2	1 3/4	17 3/4
<b>48x120AR</b>	0	6 3/4	6 5/8	18 5/8	13 1/2	4 5/8	2	1 3/4	17 3/4
<b>48x120AT</b>	0	6 3/4	20 3/4	32 5/8	13 1/2	4 5/8	2	1 3/4	17 3/4
<b>48x120BT</b>	0	12 1/4	4 1/4	17 5/8	15 1/8	4 5/8	2	1 3/4	17 3/4
<b>48x144RT</b>	4	6 3/4	4	15 7/8	13 1/2	4 5/8	2	1 3/4	17 3/4
<b>48x144AR</b>	4	6 3/4	6 5/8	18 5/8	13 1/2	4 5/8	2	1 3/4	17 3/4
<b>48x144AT</b>	0	6 3/4	20 3/4	32 5/8	13 1/2	4 5/8	2	1 3/4	17 3/4
<b>48x144BT</b>	4	12 3/8	4 1/4	17 5/8	15 1/8	4 5/8	2	1 3/4	17 3/4
<b>48x168AT</b>	4	6 3/4	20 3/4	32 5/8	13 1/2	4 5/8	2	1 3/4	17 3/4

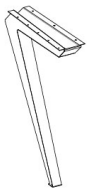
### 8 Legs

Size/ Shape	SB	A	B	C	D	E	F	G	H
<b>48x168RT</b>	4	6 3/4	4	15 7/8	13 1/2	4 5/8	23 3/4	20	17 3/4
<b>48x168AR</b>	0	6 3/4	6 5/8	18 5/8	13 1/2	4 5/8	22 7/8	19 1/8	17 3/4
<b>48x168BT</b>	4	12 1/2	4 1/4	17 5/8	13 3/8	5 1/8	22 7/8	19 1/8	18 1/4
<b>48x192RT</b>	4	6 3/4	4	15 7/8	13 1/2	4 5/8	27 3/4	24	17 3/4
<b>48x192AR</b>	4	6 3/4	6 5/8	18 5/8	13 1/2	4 5/8	26 7/8	23 1/8	17 3/4
<b>48x192AT</b>	0	6 3/4	20 3/4	32 5/8	13 1/2	4 5/8	22 1/4	18 1/2	17 3/4
<b>48x192BT</b>	4	12 5/8	4 1/4	17 5/8	15 1/2	5 1/8	26 7/8	23 1/8	18 1/4

All measurements in inches.

A, B, C, D, E, F, G, H = Leg Location Measurements; Placement/Locations Shown on Next Page

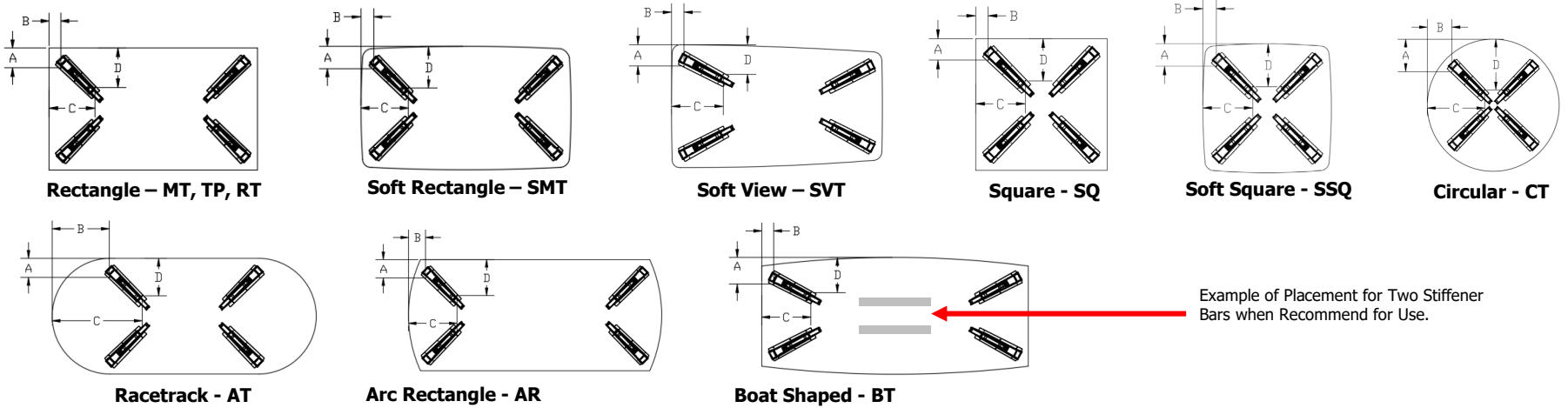
SB = Number of 48" Stiffener Bars Recommended for Table; Example of Placement Shown on Next Page



# Strut Legs | Indiana FURNITURE

## Assembly Instructions

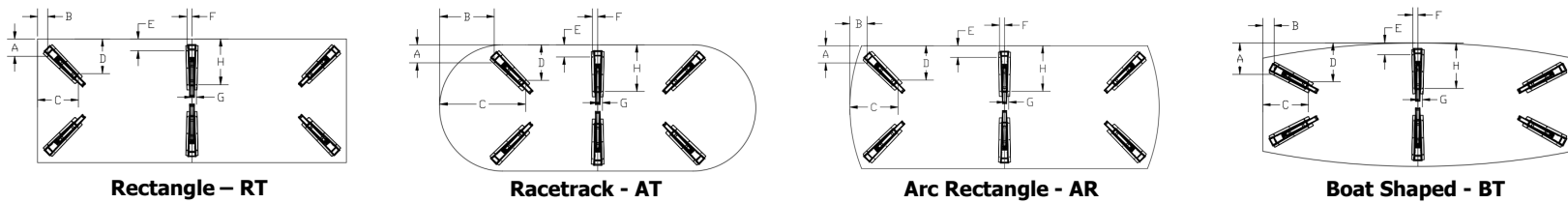
### 4 Legs



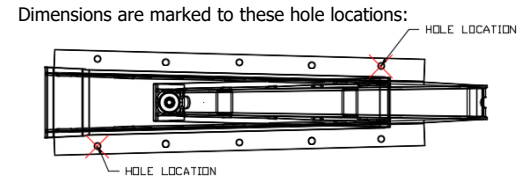
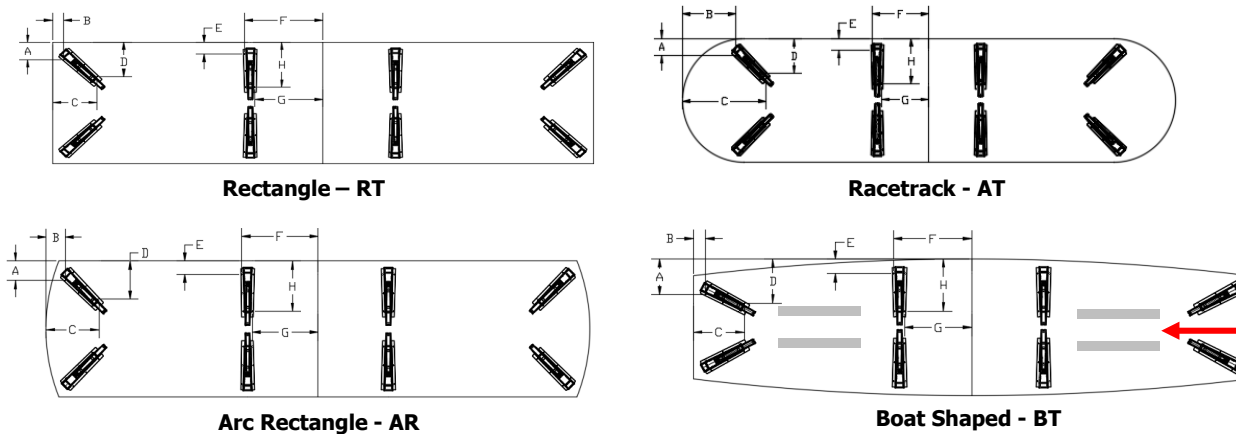
Applications using 2 Strut Legs should follow Hole Locations and Stiffener Bars for 4 Legs.

Example of Placement for Two Stiffener Bars when Recommend for Use.

### 6 Legs



### 8 Legs



Example of Placement for Four Stiffener Bars when Recommend for Use.